

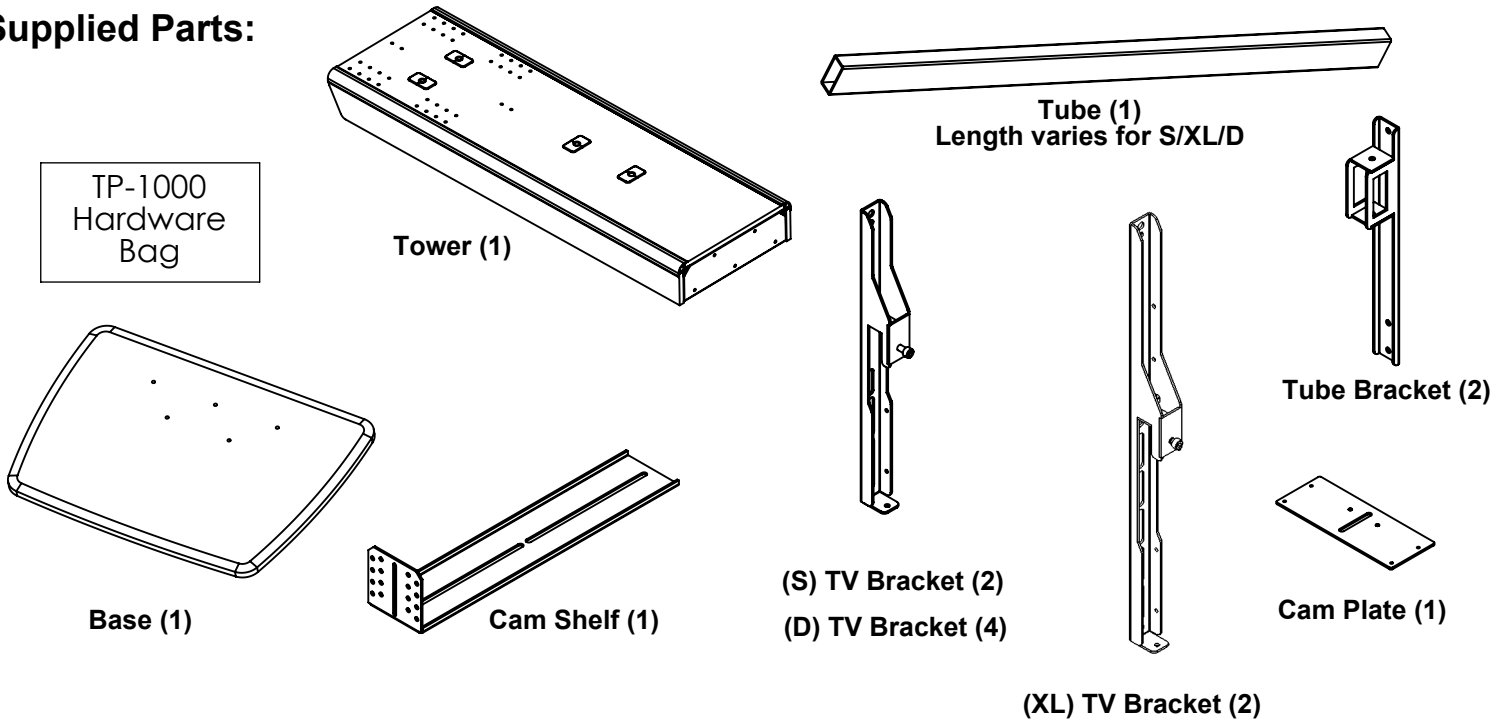
Assembly and Setup Instructions Rev 5.0

Thank you for purchasing VFI's TP800 telepresence stand. This product was designed for video conferencing and collaboration applications and is compatible with most residential and commercial TV's.

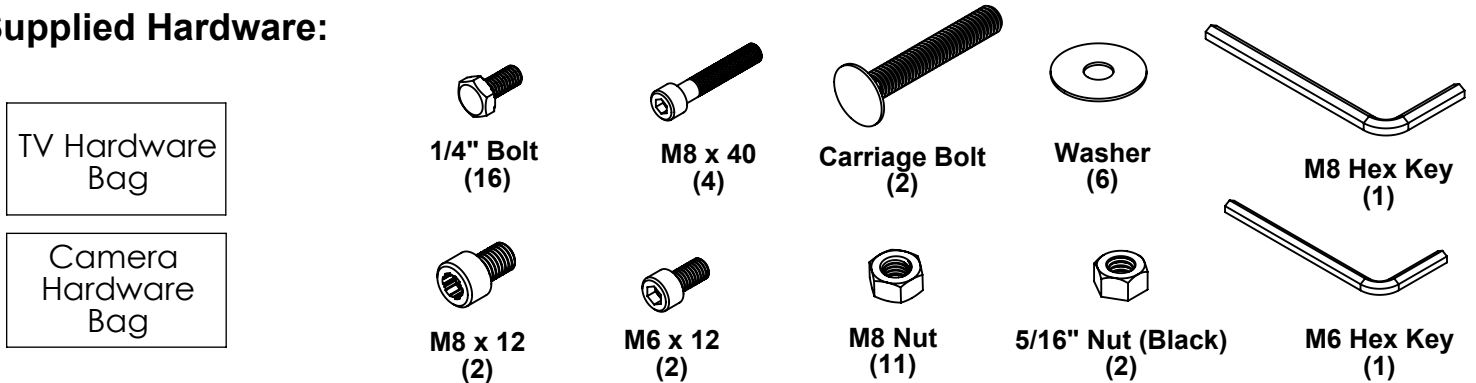
Note: If you cannot understand these instructions or are concerned about safety of the installation Contact a qualified contractor or contact VFI at 1-877-834-3876.

Not all hardware supplied will be used depending on configuration and manufacturer of your display/s.

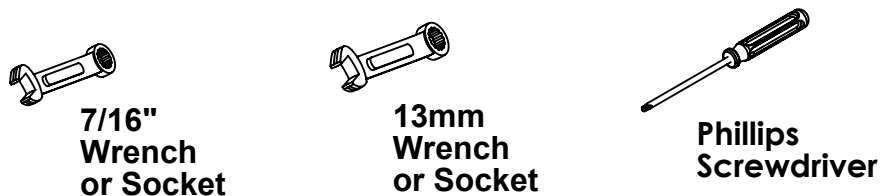
Supplied Parts:



Supplied Hardware:

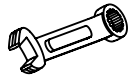


Tools required: (Not Included)



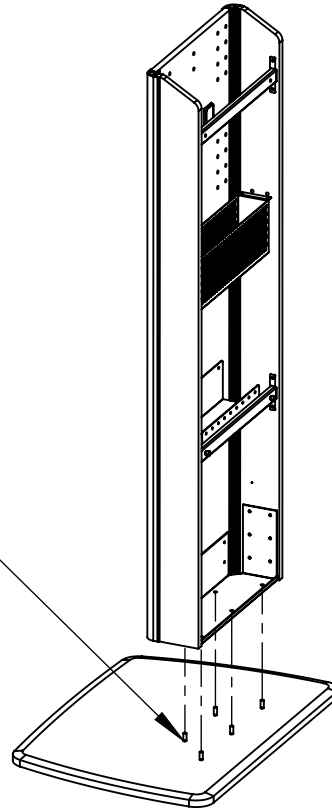
Step 1

1) Remove M8 nuts from top of Base. Remove the back cover of the spine assembly with an M6 hex key. Align the holes on the bottom of the spine assembly with the bolts on the base and secure in place using M8 nuts.



13mm
Wrench
or Socket

Remove M8 nuts from base before placing tower. Use these nuts to secure Base to tower.



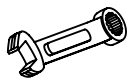
Mounting Tube Brackets

Step 2

1) Place the tube brackets at a desired height and secure in place using M8 bolts, Washers and M8 nuts. Use inside hole locations if your TV's hole pattern interferes with the outside tube bracket locations.

2) Slide the tube through the tube brackets until centred. Secure in place using attached tightening bolts while ensuring that it is level.

Brackets can be flipped upside down for lower TV Heights.



13mm Wrench
or Socket



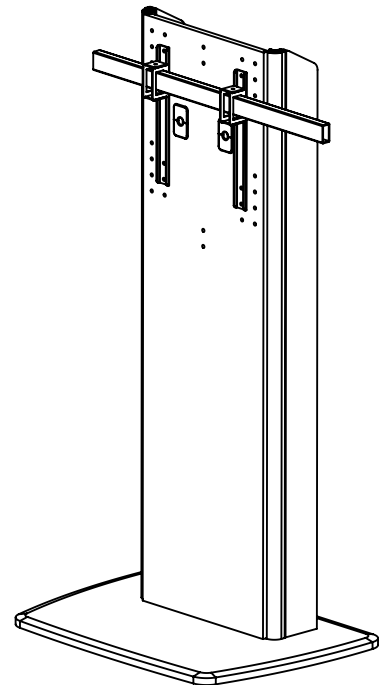
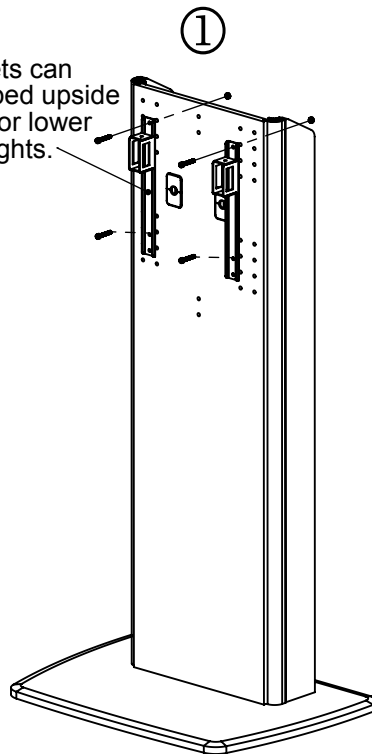
M8 x 40
(4)



Washer
(4)



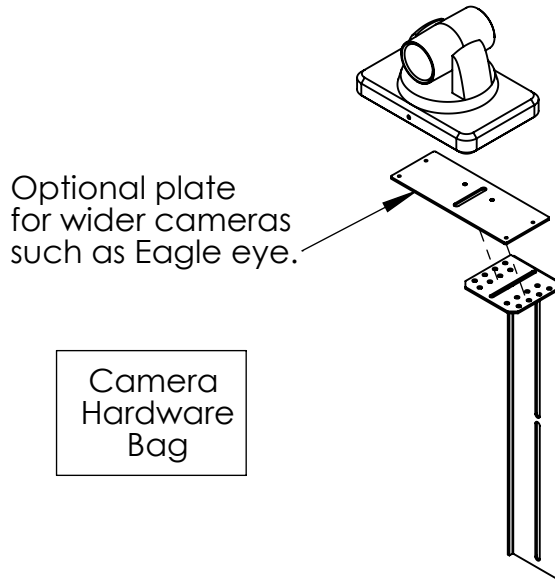
M8 Nut
(4)



VIDEO FURNITURE INTERNATIONAL

Step 3

Attach camera to cam shelf using the contents of the camera hardware bag. First attach the cam plate if your camera requires it.



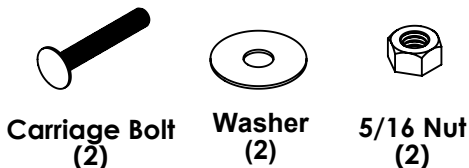
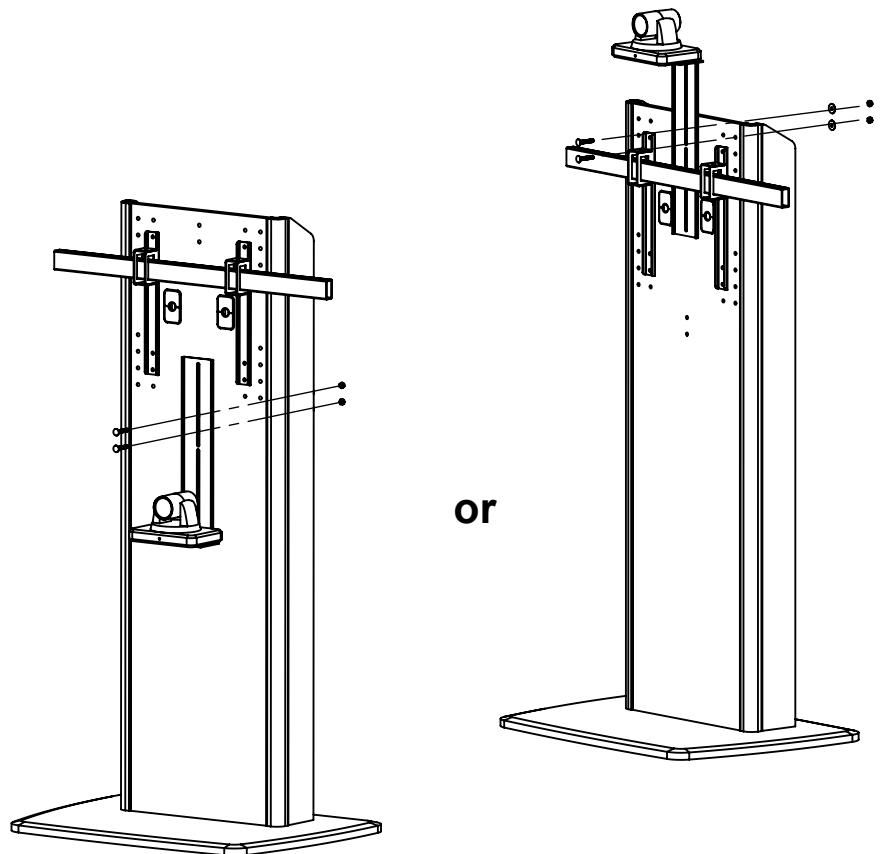
Mounting Camera

Step 4

(For Displays over 50" this step should be done after Step 6)

The cam shelf can be installed either above or underneath the TV. Align with the two mounting holes on the centre of the stand and secure at desired height using carriage bolts, washers and 5/16 nuts. Connect all cables between camera and codec by running them through the grommets.

(If mounted above, make sure it is installed at its highest position to leave room for the TV. It can be lowered once the TV is installed.)



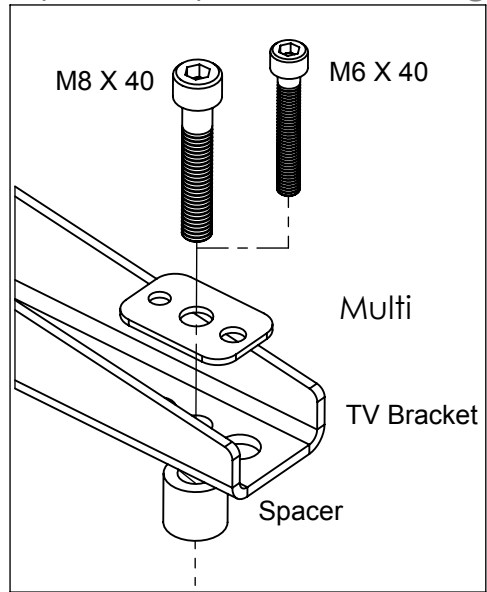
Step 5

1. Place TV face down on blanket or non abrasive surface such as cardboard.
2. Check to see if your TV came with mounting hardware or not.
If not, we have supplied the most common hardware.
Most displays under 42" will use the M6 bolt. Most 42"+ will use the M8 bolts.
See which bolt length you need by hand tightening only.
3. Place TV brackets so you can see the TV mounting holes through the bracket and insert bolt through a multi washer.
4. Hand tighten until there is resistance, then give a half turn with hex key.
DO NOT OVERTIGHTEN AS THIS CAN DAMAGE OR PUNCTURE THE TV

Notes.

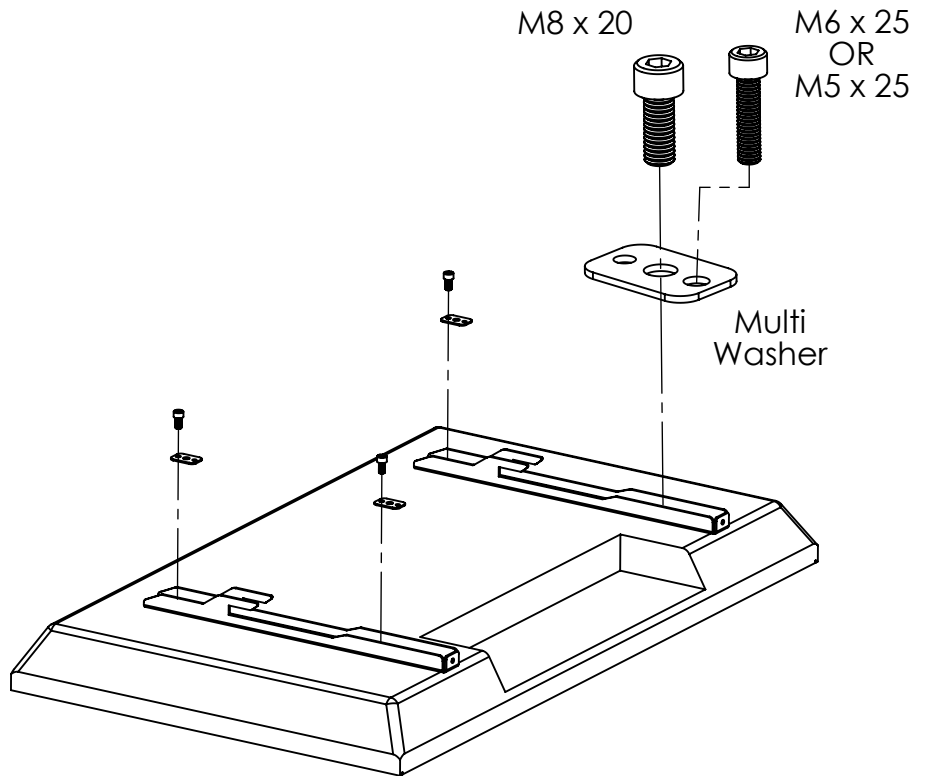
- Have 2 people lift the TV as it can be very heavy and awkward.
- Some TV's require non standard hardware. This bracket was made to accomodate up to M10 bolts which can be found at your local hardware store along with longer versions of the included hardware.

Optional Spacer mounting



Spacer is used when the back of TV is not flat or the mount holes are sunk into the back of the TV. (Rarely used)

TV
Hardware Bag

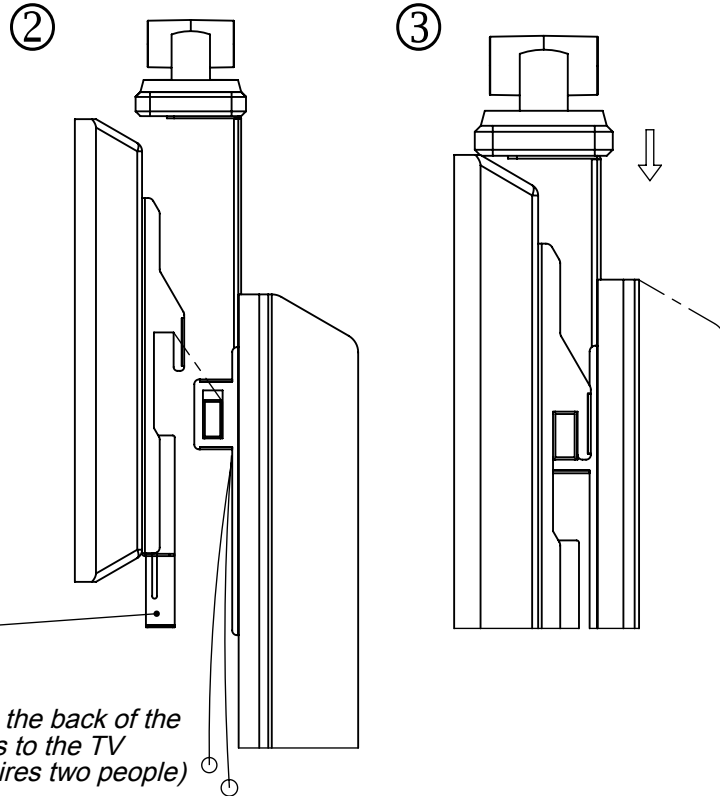


VIDEO FURNITURE INTERNATIONAL

190 Don Hillock Drive Aurora , Ontario L4G 0G9 www.video-furn.com
Toll Free: 1-877-834-3876 Fax: 1-905-751-1488 Local:905-751-1459

Step 6

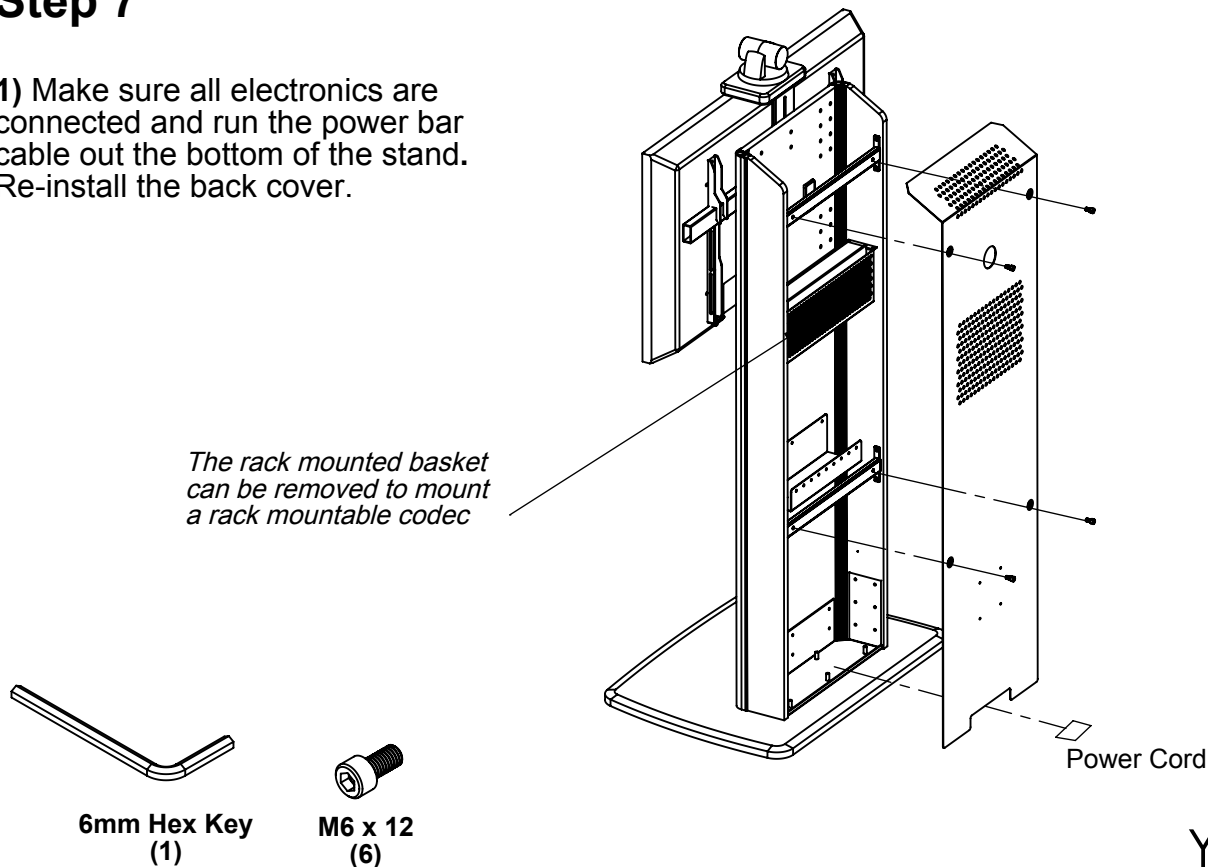
- 1) Run all cables from the codec through the front grommets.
- 2) Slide TV with attached brackets onto the installed TV bar.
- 3) If the camera needs to be lowered, loosen the camera bracket nuts with a 1/2" wrench while holding the camera with your other hand to prevent it from falling. You can then slide the camera to rest on top of TV and re-tighten the nuts.



Installing Covers

Step 7

- 1) Make sure all electronics are connected and run the power bar cable out the bottom of the stand. Re-install the back cover.



Your Done!

VIDEO FURNITURE INTERNATIONAL