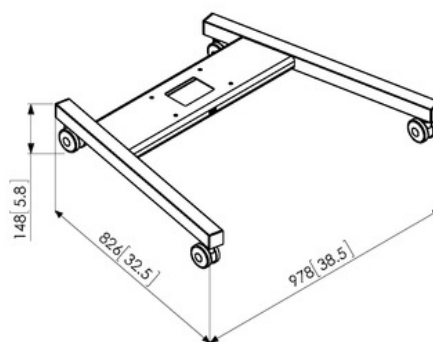


PFT 8520 Trolley frame large, silver

The PFT8520 trolley frame is a part of the modular Connect-it system with which you can create a mobile solution for medium- to large-sized displays.

Guarantee

5 years



PFT 8520 Trolley frame large, silver

Vogel's Connect-it floor solutions (floor stands and trolleys) is a uniquely flexible system. With only a few standard components, you can create a solution for almost any requirement. From a single display floor stand in a shop window, a back-to-back display set-up in an airport, to a movable video conferencing set-up for corporate use, the flexible Connect-it floor solutions line fits every situation. Connect-it floor solutions can accommodate displays from small to extra large, weighing up to 160 kg. Connect-it floor modules are available in black and silver to fit any interior décor.

Features

Logistic information

EAN Code Product	8712285323928
Net weight (kg)	13.8
Single Box Width (mm)	1057
Single Box Length (mm)	884
Single Box Height (mm)	214