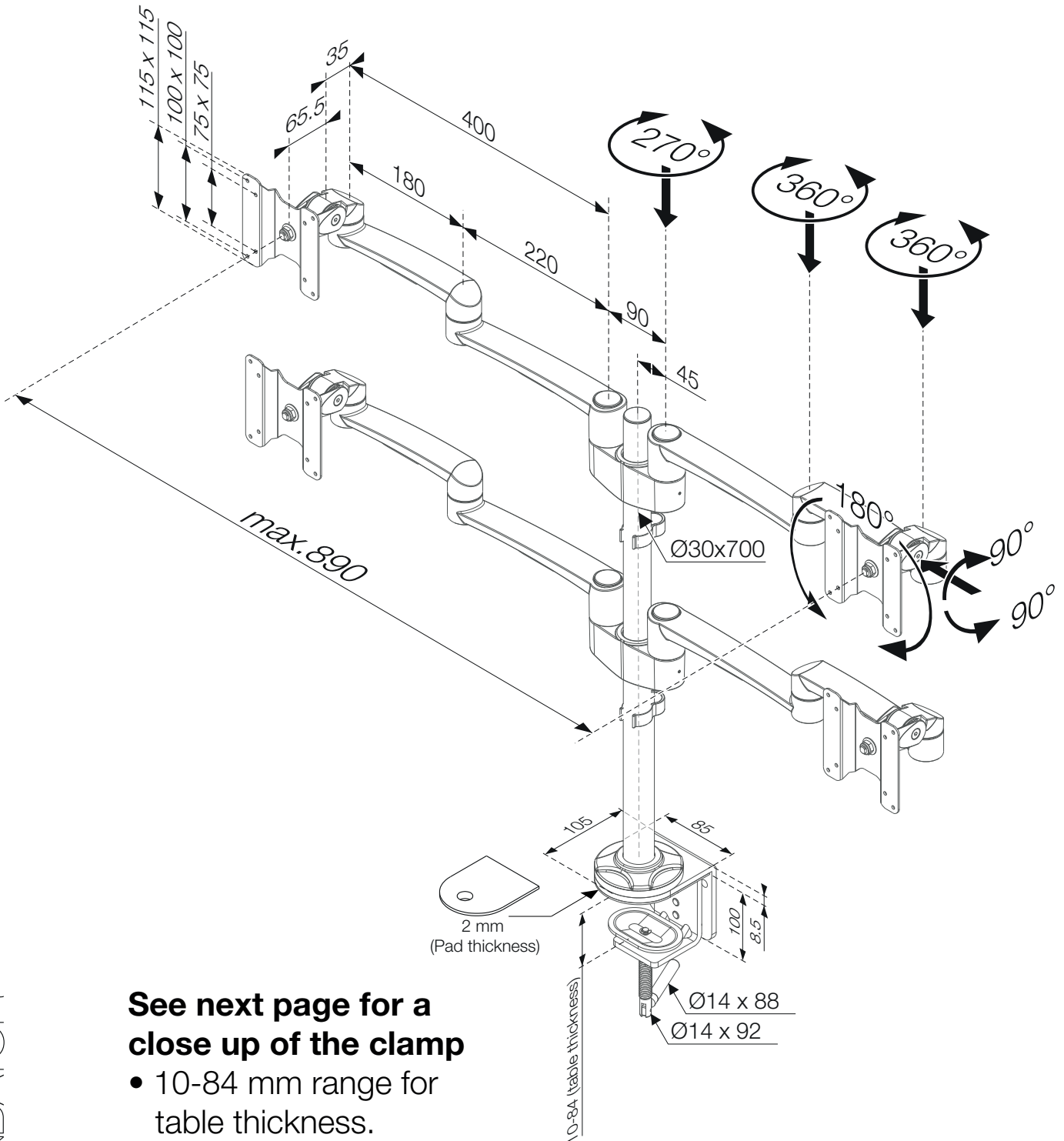




- 438-LC29
- 438-LC29W
- 438-LC29B

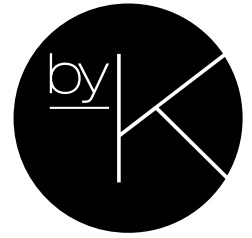
## Monitor Arm OSLO - System 4

### Oriented view



**See next page for a close up of the clamp**

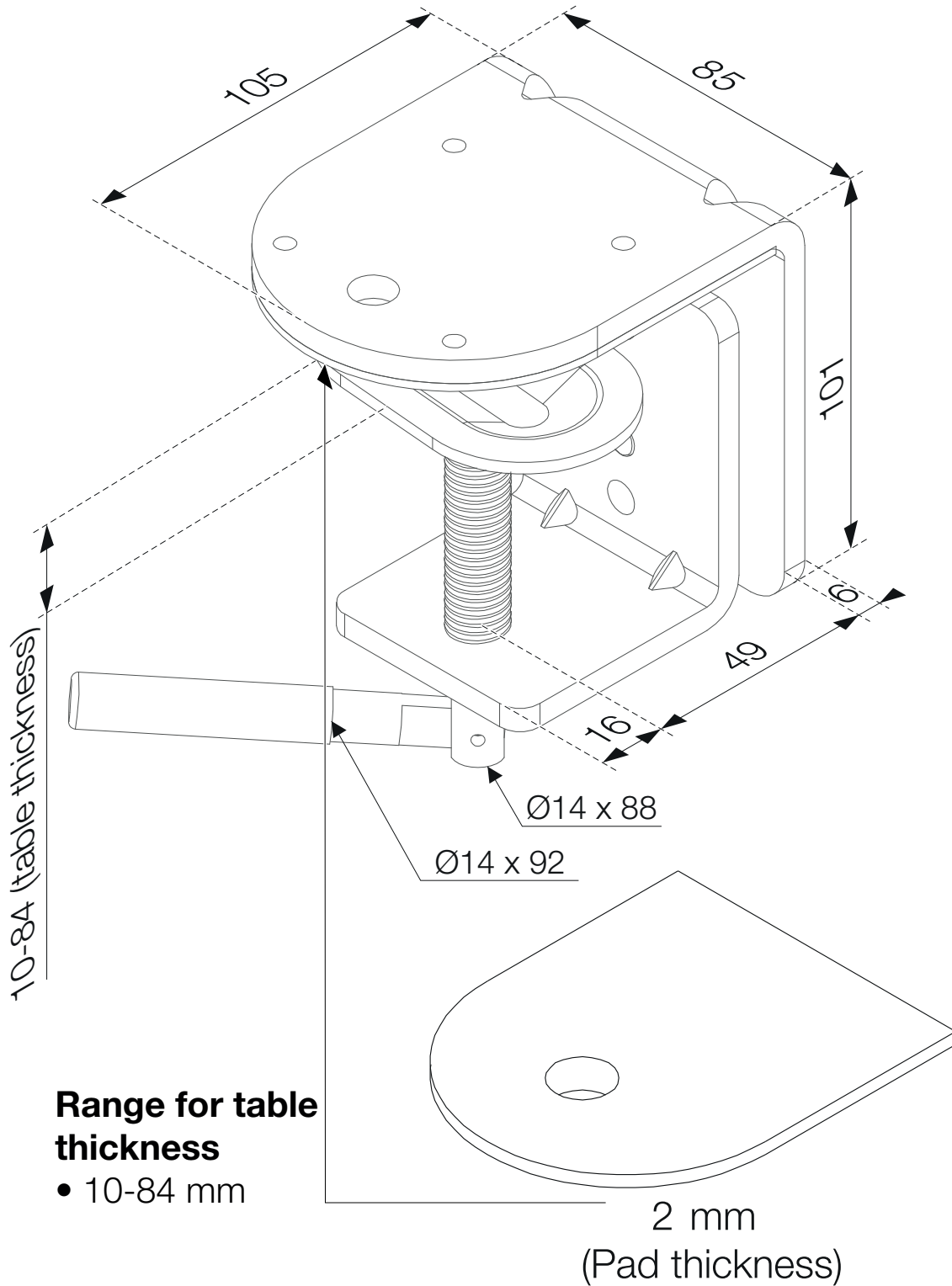
- 10-84 mm range for table thickness.



- 438-LC29
- 438-LC29W
- 438-LC29B

## Monitor Arm OSLO - System 4, Clamp

### Oriented view



### Range for table thickness

- 10-84 mm