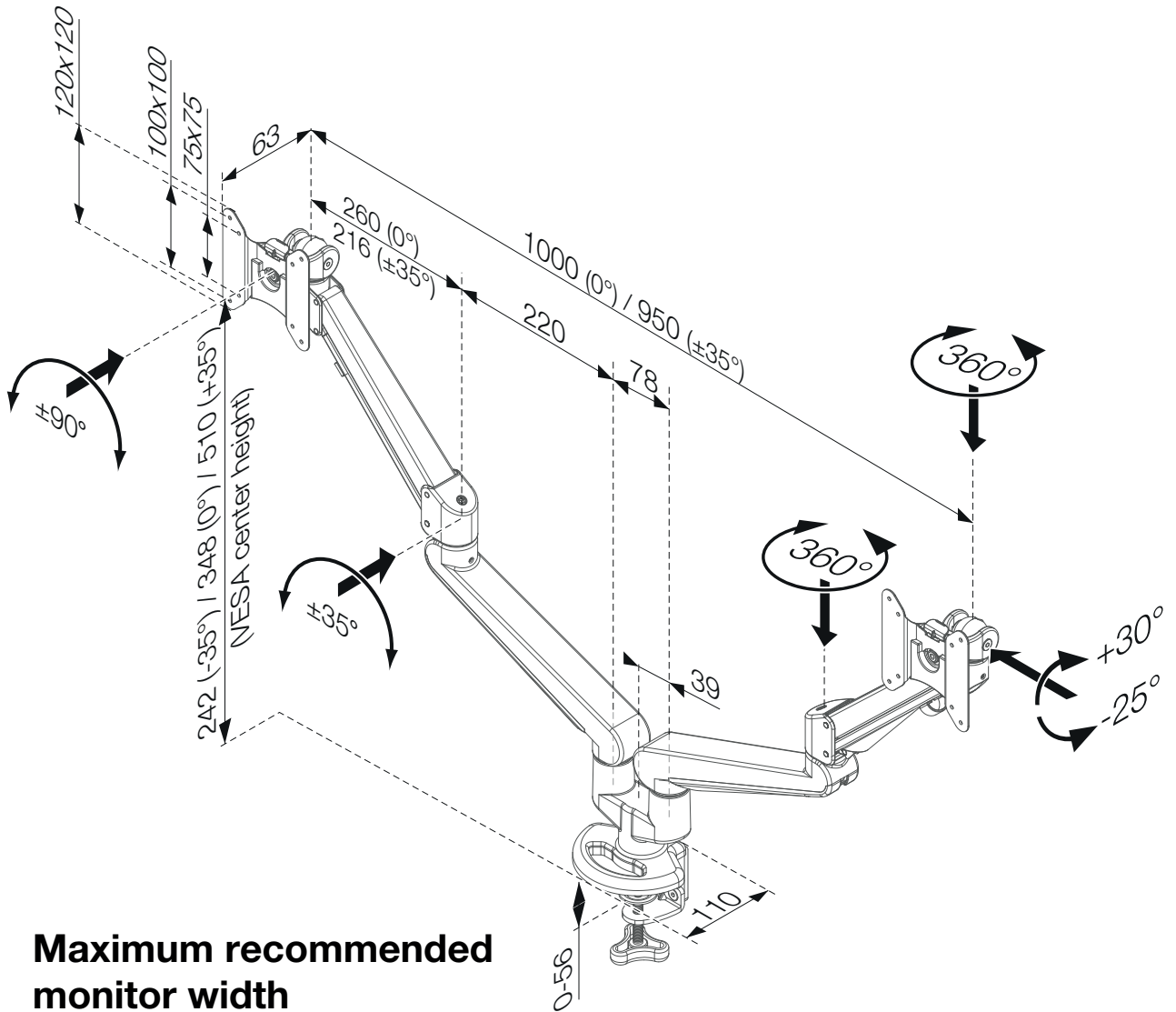




- 438-LC52
- 438-LC52W
- 438-LC52B

Monitor Arm STOCKHOLM Twin 3-8 kg, Gas Spring

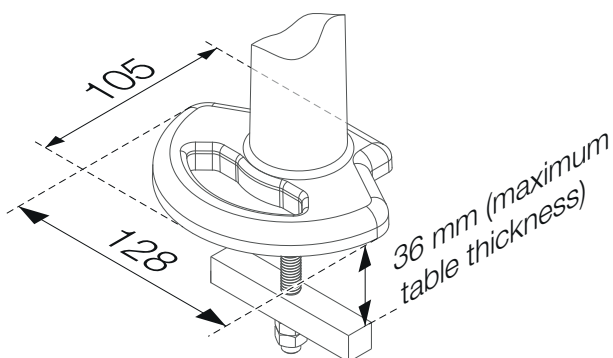
Oriented View



Maximum recommended monitor width

- (2x) 992 mm

Alternative grommet clamp



Range for table thickness

- 16-50.8 mm (regular clamp)
- 0-36 mm (grommet clamp)