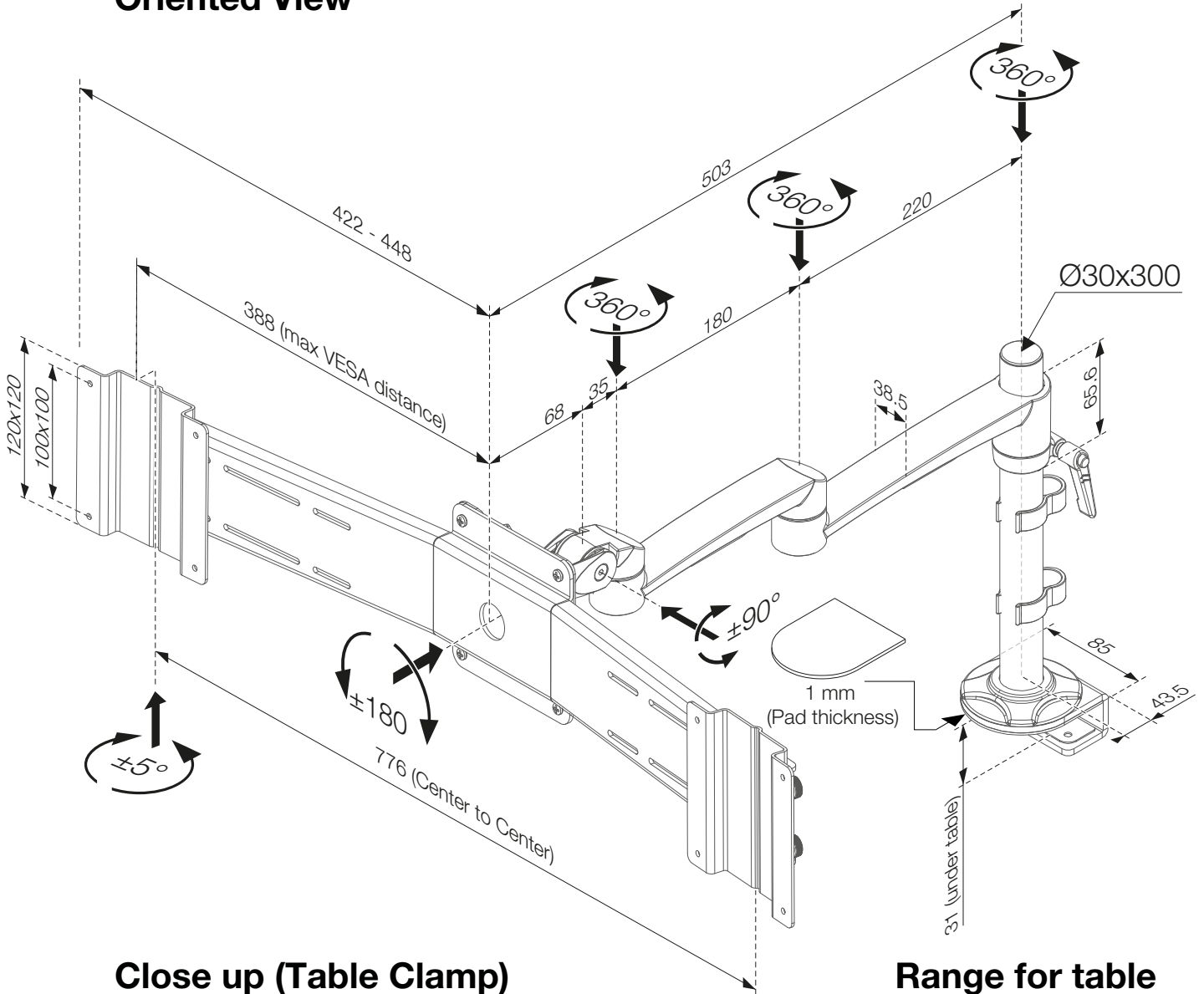




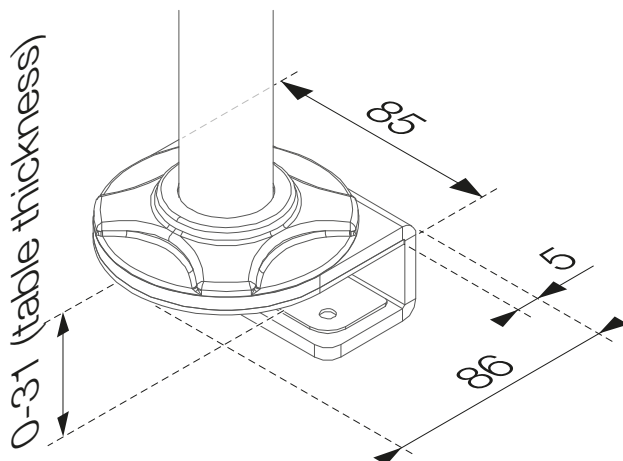
- 438-LC22
- 438-LC22W
- 438-LC22B

## Monitor Arm OSLO - DUO

### Oriented View



### Close up (Table Clamp)



### Range for table thickness

- 0-31 mm

### Maximum rec. monitor width

- (2x) 768 mm