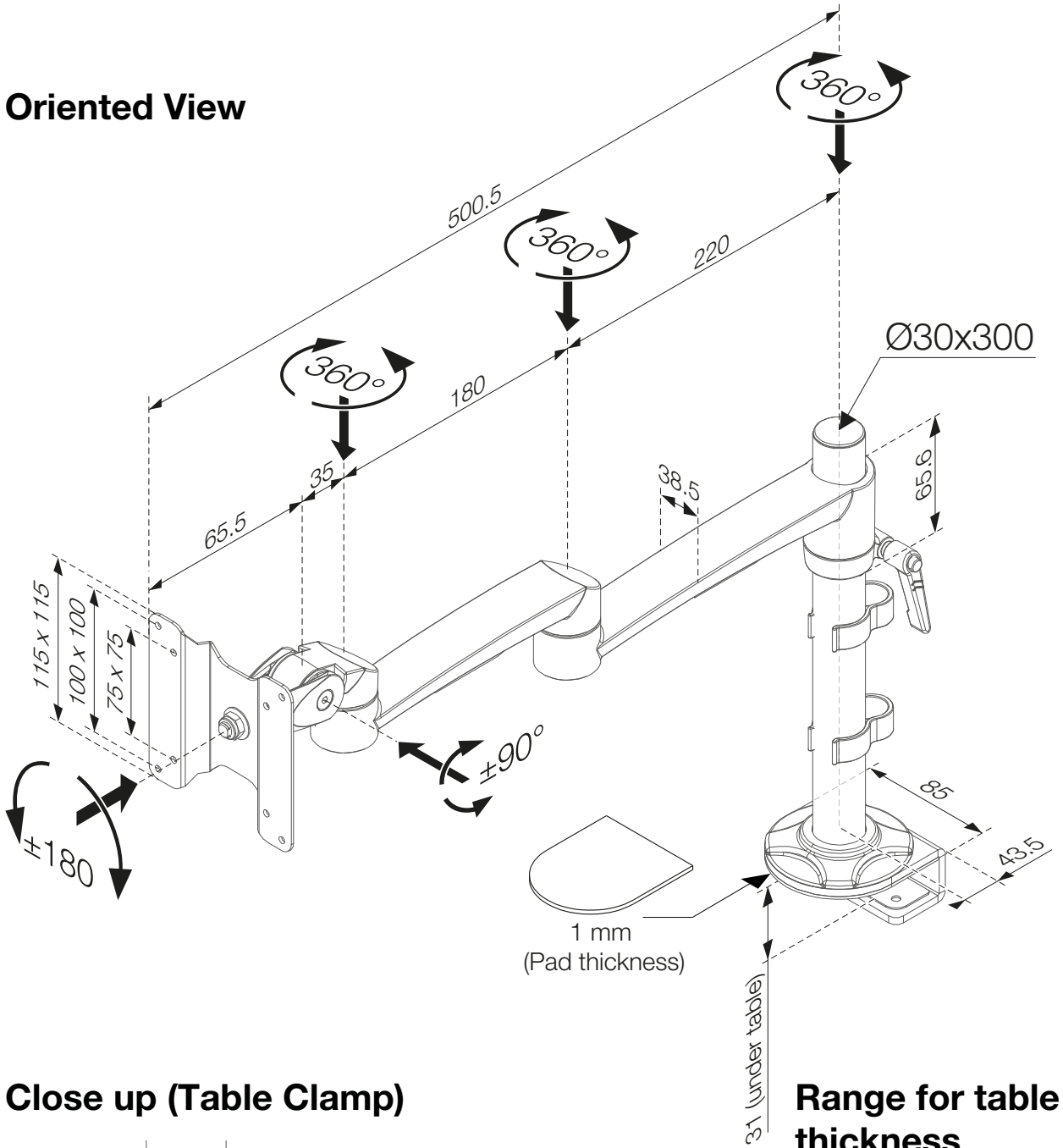




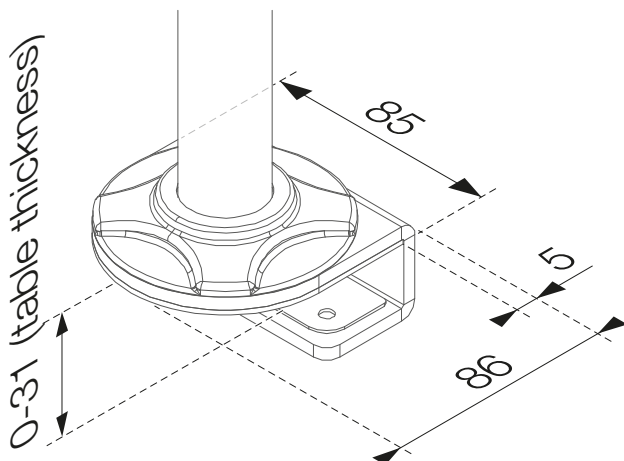
- 438-LC15
- 438-LC15W

# Monitor Arm OSLO

## Oriented View



## Close up (Table Clamp)



## Range for table thickness

- 0-31 mm