

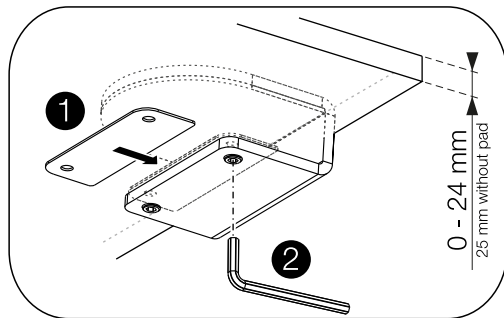
## Monitor Arm OSLO

In order to achieve a correct mounting of Monitor Arm OSLO, you are advised to read and follow the instructions step by step. If there are incomprehensible steps, please let us know and we will get back to you.

### Part Check-List

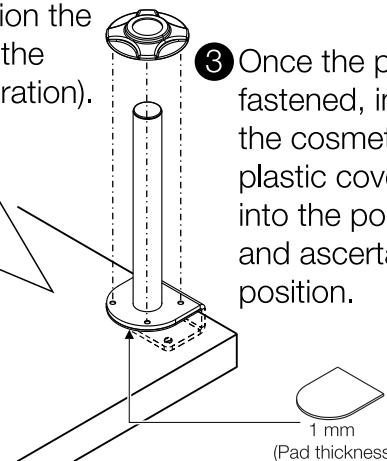
①		x1	⑤		x1
②A		x2	⑥		x1
②B		x2	⑦		x4
③		x1	⑧		x1
④		x1	⑨		x2

**1** Position and mount the clamp ① to the table. For tables thinner than 21 mm, use screws ②B. Position the metal sheet ③ and fasten it using the screws and Allen key ④ (See illustration).

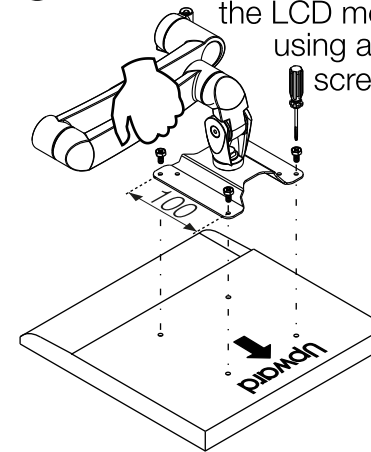


NOTE! For tables thicker than 21 mm, use screws ②B.

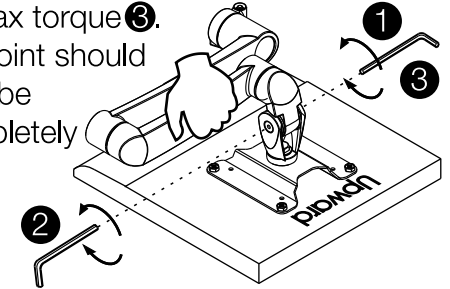
**3** Once the pole is fastened, insert the cosmetic plastic cover ⑤ into the pole and ascertain its position.



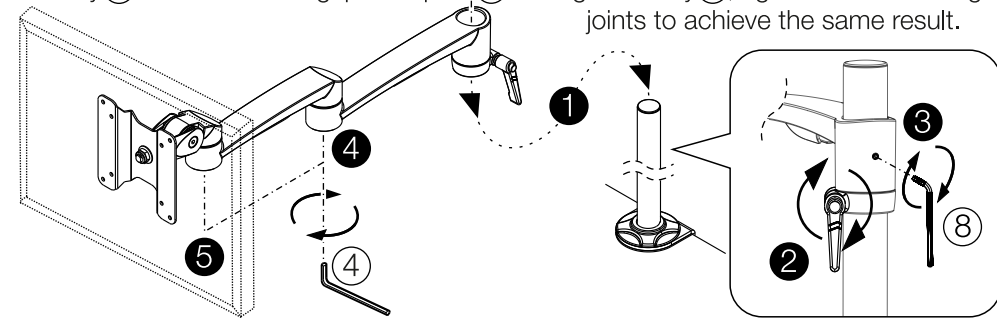
**2** Attach the monitor arm ⑥ to the LCD monitor using all four screws ⑦.



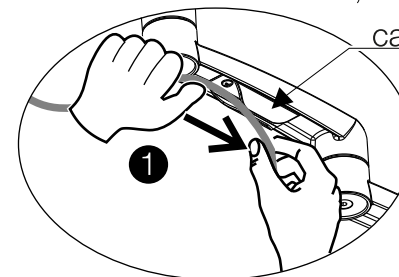
Use Allen key ④ to loosen the left screw completely ①. Then, tighten the right screw to max torque ②. Adjust the angle of the LCD and secure its position by re-tightening the left screw to max torque ③. The joint should now be completely rigid.



**3** Insert the arm with the fixed LCD monitor onto the pole. Adjust to desired height using the black plastic lever. To make the first arm completely rigid, use Allen key ⑧ until the screw grips the pole ①. Using Allen key ④, tighten the remaining joints to achieve the same result.



**4** Finish installation by directing the cables from the LCD monitor through both black monitor arm collectors, and finally both cable clips ⑨ as illustrated below.



cable collector

