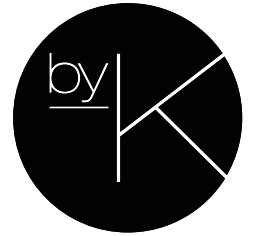


Powerdot

□ 935-PD13W
 ■ 935-PD13



CONTENT:



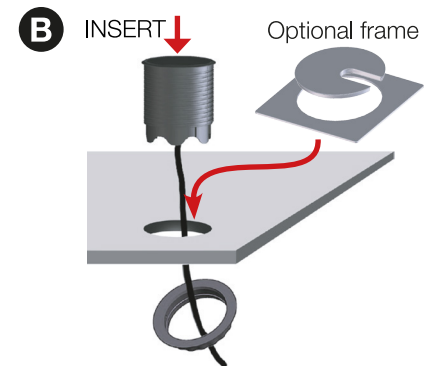
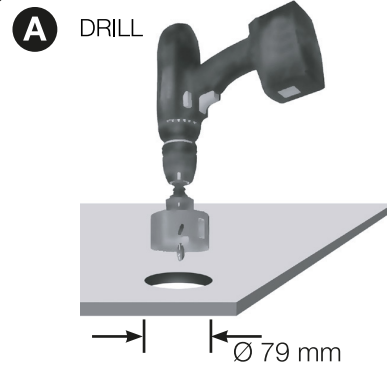
x1



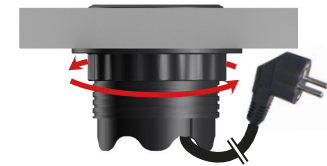
x1



x1



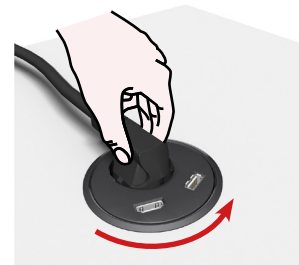
C TURN CLOCKWISE & PLUG IN
 Turn the plastic fastening nut as far up the thread as possible. Make sure that it has been thoroughly tightened. Lastly, plug the Schuko plug into the wall socket.



1 CONNECT
 Connect plug to Powerdot



2 RELEASE
 Rotate counter clockwise

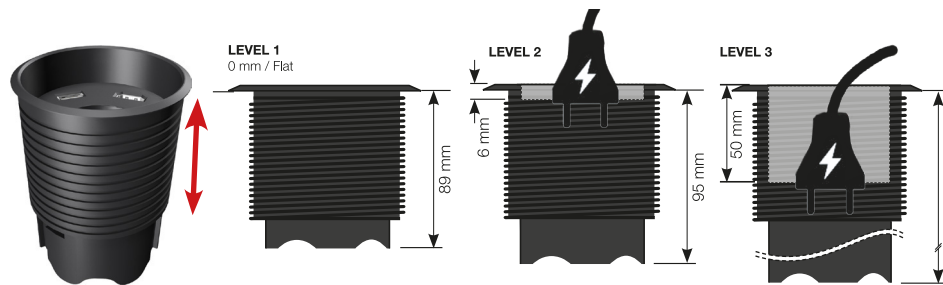


3 ADJUST
 The inner part should now be loose. Adjust to desired level (see next step).



- 1 USB port
- 1 HDMI port
- 1 Schuko socket
- 1.5 meter cable

4 ADJUST LEVELS



5a LOCK Level 1 & 2
 Rotate clockwise



5b LOCK Level 3
 Rotate

